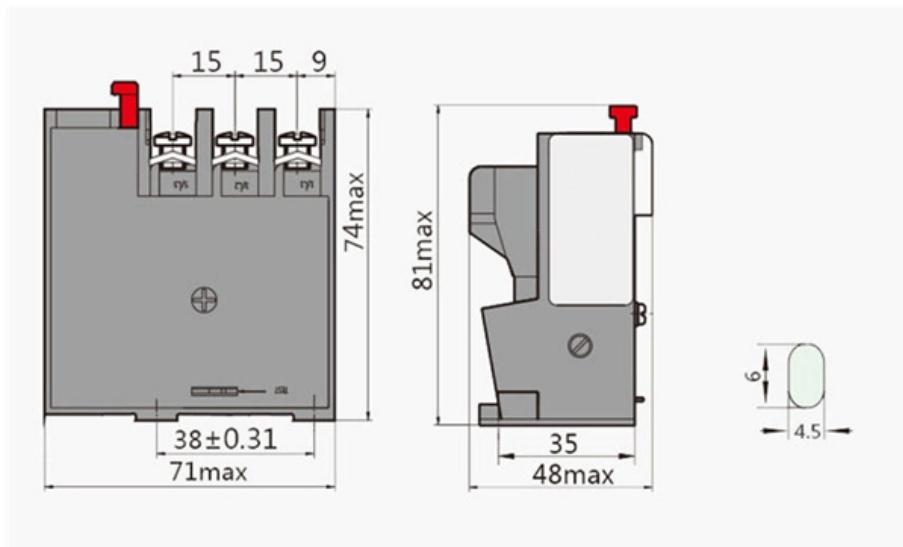


Design of Explosion-proof Distribution Boxes for Lighting in China





Design of Explosion-proof Distribution Boxes for Lighting in China

Model and Specification of Explosion-Proof Distribution Box

Explosion-proof lighting distribution boxes and cabinets come in a variety of models. They vary in terms of materials, including metal and flame-retardant plastic; installation methods, such as

[Read More](#)

ATEX Certified Explosion-Proof Lighting & Power Distribution Box

Its main business covers explosion-proof electrical equipment and special air conditioners. With intelligent explosion-proof technology as the core research direction, it has four departments:

[Read More](#)



Explosion-proof box explosion-proof cabinet_explosion-proof

Tengda Explosion-proof Technology Co., Ltd. produces explosion-proof distribution boxes, explosion-proof lighting distribution boxes, explosion-proof junction boxes, explosion-proof electrical control

[Read More](#)

Top 16 Explosion-Proof Lighting Manufacturers and

The company specializes in LED explosion-proof lamps, explosion-proof emergency lights, panel boxes, and electrical accessories. All explosion

[Read More](#)

LED Explosion Proof Light IP66 LED Platform Light Explosion Proof

We persistently adhere to the design principle of "High-efficiency Utilization, Energy-



Conservation and Environmental Protection", implement standardized production, and our major

[Read More](#)

Explosion-Proof Lights, Explosion-Proof Junction Box, Explosion-Proof

Shanghai: With 25 years of expertise, we lead in manufacturing high-quality explosion-proof lights, junction boxes, and pipe fittings for hazardous environments.

[Read More](#)

Explosion-proof distribution box Manufacturer, Explosion Proof Light

Explosion-proof distribution box Supplier, Explosion Proof Light, Explosion Proof Terminal Box Manufacturers/ Suppliers - Zhejiang Guozhong Explosion Proof Electrical Co., Ltd.

[Read More](#)



Explosion Proof Electrical Equipment,

MAM Explosion-proof Technology (Shanghai)Co., Ltd. (MAM in brief) is located in Shanghai, China, with more than 10,000m² international workshop. There are

[Read More](#)

Wholesale Explosion-proof Electrical Manufacturers,

Explosion-proof electrical manufacturers and factory, The products cover a complete series from explosion-proof components to the integration of electronic control

[Read More](#)

Zhejiang KGV Electric Technology Co., Ltd

Its products cover explosion-proof distribution boxes, LED explosion-proof lamps, explosion-proof instrument control boxes, etc., and are widely used in petroleum,



chemical, power, metallurgy and

[Read More](#)

Understanding Power Distribution Boxes: Types, Features, and

This guide delves into the intricacies of power distribution boxes, shedding light on their design, functionality, and regulatory standards. Readers can expect to gain a comprehensive

[Read More](#)

Standard for explosion-proof lighting power distribution boxes

Products with explosion-proof structures, such as explosion-proof, increased safety, or both, account for the vast majority of explosion-proof electrical products. Proper waterproof and dustproof performance

[Read More](#)



Company Profile-Tengda Explosion-proof Technology Co., Ltd.

Tengda Explosion-proof Technology Co., Ltd. produces explosion-proof distribution boxes, explosion-proof lighting distribution boxes, explosion-proof junction boxes, explosion-proof electrical control

[Read More](#)

Explosion Proof Electrical Equipment,

With a strong R& D team in Shanghai, MAM has developed a complete series of explosion-proof electrical equipment with ATEX, IECEx and TR CU certificates.

[Read More](#)

Explosion-proof Distribution Box

China Explosion-proof Distribution Box catalog of Exd Explosion Prevention Exe



Aluminum Alloy Junction Box Explosion-Proof Threading Straight Box Ex Seal Wire Box, Explosion-Proof Type a

[Read More](#)

Custom CZ1290 Explosion-proof distribution boxes

CZ Electric Co., Ltd is a Custom CZ1290 Explosion-proof distribution boxes suppliers and company, Modular design Easy operations with windows Operating handles

[Read More](#)

China Explosion-proof Distribution Boxes Suppliers

Looking for reliable Explosion-proof Distribution Boxes and Cabinets? china-electricpro offers top-quality, customizable solutions with fast delivery. Ideal for hazardous environments, our products

[Read More](#)



Xi'an Yongshang Electric Technology Co., Ltd

We are a professional manufacturer, sales, and installation of explosion-proof electrical products such as Xi'an explosion-proof air conditioners and explosion

[Read More](#)

Evaluating Chinese Explosion Proof Distribution Box Suppliers

Assessing a Chinese explosion proof manufacturer requires examination across multiple dimensions. The evaluation covers R&D capabilities, manufacturing processes, quality control, and

[Read More](#)

Warom , Explosion Proof Lighting & Electrical Equipmen

Warom Group is a leading manufacturer of explosion-proof lighting and electrical equipment in China. We provide certified explosion-proof luminaires, control de



[Read More](#)

Explosion-proof Distribution Box

China Explosion-proof Distribution Box catalog of Anti-Corrosion Electrical Control Box 6 Holes Aluminum The Explosion-Proof Distribution Box Power Instrument Box Industry Water, Exd Iic

[Read More](#)

Top 16 Explosion-Proof Lighting Manufacturers and Suppliers in China

The company specializes in LED explosion-proof lamps, explosion-proof emergency lights, panel boxes, and electrical accessories. All explosion-proof lighting products are designed and

[Read More](#)



BXM (D)51 Series Explosion proof Distribution Boxes

BXM (D)51 Explosion proof Distribution Boxes Explosion protection to -CENELEC -IEC -NEC Can be used in Zone 1 and Zone 2 Zone 21 and Zone 22 Class I, Zone

[Read More](#)

China Explosion Proof Distribution Box Manufacturer & Supplier

YXFBExplosion-ProofisaprofessionalExplosionProofDistributionBoxmanufacturerand supplier in China. YXFB Factory designs with multi-cable entries, quick quotes & global shipping.

[Read More](#)

Contact Us

For datasheets, pricing, or custom data center infrastructure solutions, please visit:
<https://zeldaterblanchephotography.co.za>