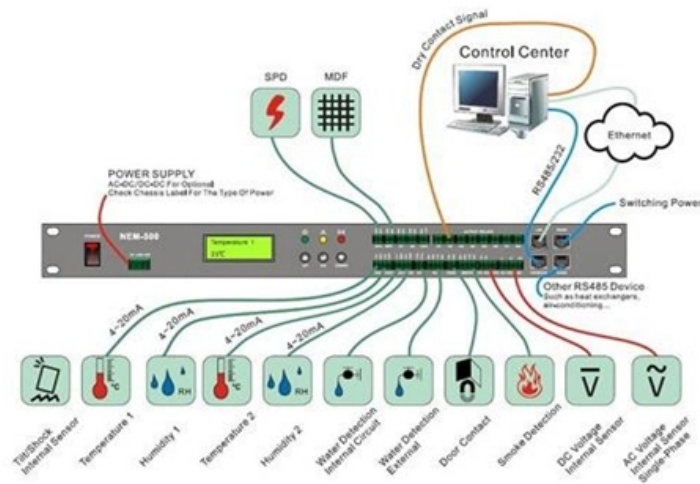


Fireproof cable tray crossbar





Fireproof cable tray crossbar

Instrument FireMaster® fire protection cable tray

The FireMaster® cable tray wrap system provides 30 minutes hydrocarbon fire protection to cable trays carrying control cable wiring. The FireMaster® cable tray wrap consists of FireMaster® Marine Plus

[Read More](#)

Basor Electric

Basor Electric, sensitive to the need to minimize the consequences of a fire, has subjected its cable trays to rigorous fire resistance tests to ensure the behavior of its products.

[Read More](#)



Fire-Resistant Cable Support Systems

Meka Pro regularly tests the fire resistance of its products to ensure high-quality and safe cable management systems. The products are tested extensively and using

[Read More](#)

FIRE RESISTANT PROOF CABLE TRAY, DIN STANDARD E90

Cablofil Cable Basket - Fire Resistant Cable Tray for FP (Fire Proof) Cables Cablofil cable tray is the preferred choice for the cable containment of low and high voltage electric cables where fire

[Read More](#)

Fire stop section of the cable tray and cable management NEMA

3M Fire Barrier Moldable Putty+ is a one-part, halogen-free product designed to firestop electrical outlet boxes and a wide variety of through-penetrations including cable,



conduit, insulated pipe and metal

[Read More](#)

Fire stop section of the cable tray and cable management NEMA

The following charts give the number of 3M pillows needed to completely firestop an opening that cable tray passes through.*Two (2) sticks of moldable putty (part number FSP-MPS) are also needed for

[Read More](#)

Fireproof Channel Cable Tray System

The fireproof channel cable tray system is produced by galvanized channel cable tray after processing surface treatment of a layer of fireproof coating. In addition,

[Read More](#)



FIRE RESISTANT PROOF CABLE TRAY, DIN STANDARD E90

Cablofil fire resistant and fire proof cable trays are increasingly specified in the construction, power, oil, gas, petrochem, rail and utilities industries. Cablofil cable tray has been successfully tested and

[Read More](#)

Understand the Importance of Cable Tray Fire Stopping

Discover the significance of cable tray fire stopping for building safety. Learn how it prevents fire spread, safeguards occupants, and ensures compliance with fire

[Read More](#)

UNIFRAX Fyrewrap fireproof Coating for Cables, Cable

Our company's cable insulation, cable tray, and pipeline fireproof materials adhere to the global standards recognized by FM (Factory Mutual Insurance Company).



Fire protection for cables & cable trays , Flamro

Fire protection solutions to protect cables, cable trays and cable systems. Discover our tested cable coatings and fire protection bandages!

[Read More](#)

Fire Resistance Testing of Cable Trays: Key Standards

Are Your Cable Trays Fireproof? Here's How to Find Out When a fire breaks out, the last thing you want is your cable trays fueling the flames. But how

[Read More](#)

Cable Tray Covering & Fire Protection



FireResistant Solutions provides cable tray covering and fire-protection systems designed to safeguard electrical and data infrastructure in commercial and multifamily buildings.

[Read More](#)

DAKEN Fire-resistant Cable Tray

This innovative design not only provides excellent fire resistance, but also effectively addresses the common issues associated with traditional fully enclosed cable trunking systems, such as heat

[Read More](#)

huitong-fireproof-cable-tray-company

25 Companies and suppliers for huitong-fireproof-cable-tray-company Find wholesalers and contact them directly Leading B2B marketplace Find companies now!

[Read More](#)



Cable Trays and Fire Protection Systems: Keeping

Learn how Cable Trays and Fire Protection Systems work together. They protect cables and help fire alarms, sprinklers, and emergency systems

[Read More](#)

Fire resistant cable tray , Hermi-solutions

Cable trays are intended for the construction of fire-resistant cable paths with surface cable laying. Cable paths are constructed as standard or lightweight cable paths.

[Read More](#)

Firestopping Requirements for Cable Trays and

Technical guide to firestopping cable tray and slab penetrations in electrical shafts;



specifies materials, packing limits, waterstop heights and

[Read More](#)

Huitong fireproof cable tray company Germany

All Companies and suppliers for huitong-fireproof-cable-tray-company Find wholesalers and contact them directly Leading B2B marketplace Find companies now!

[Read More](#)

Basor Electric

Basor cable trays against fire In the absence of applicable European or international regulations, different local regulations are used, such as the German, the Czech

[Read More](#)



Fire Protection of Cable Trays , Ceasefire PFP

For example, a cable tray may contain electrical cables powering essential services that are still required to operate under extreme fire conditions.

[Read More](#)

Fireproof installations above fire protection ceilings

Practical solutions in limited installation space Particularly when space is limited, various routing variants can be implemented whilst complying with the cable loads, tray widths and minimum distances to the

[Read More](#)

Contact Us

For datasheets, pricing, or custom data center infrastructure solutions, please visit:
<https://zeldaterblanchephotography.co.za>