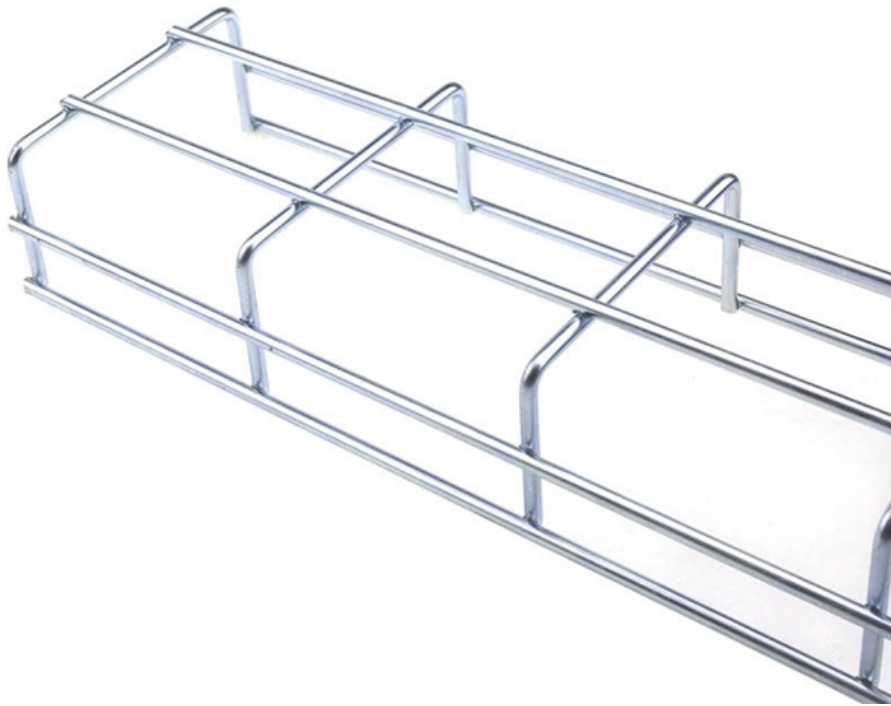




ZTP Thermal & Power

Nordic Modular Data Center NEMA4X Export Price Quote





Nordic Modular Data Center NEMA4X Export Price Quote

Nordic Data Center Market 2026 Market Trends and

The Nordic data center market, valued at approximately \$1.22 billion in 2025, is experiencing robust growth, projected to expand at a Compound Annual Growth

[Read More](#)

Nordic Data Centers, Fiber Networks and Industrial Real

Bulk Infrastructure delivers long term solutions to global organisations with the lowest total cost of ownership. As an industrial infrastructure developer, Bulk operates

[Read More](#)



Data Center

In the Nordics, the Data Center market is experiencing a surge in investment, driven by the region's cool climate and renewable energy sources.

[Read More](#)

Nordic Exports from World

Analyze 3,952 Nordic export shipments till Jul-25. Export data includes Buyers, Suppliers, Pricing, Qty & Contact Phone/Email.

[Read More](#)

Nordic Data Center Market Size & Share Analysis

The Nordic data center market volume reached USD 1.32 MW in 2025 and is forecast to advance to USD 1.98 MW by 2031, translating into a 6.61% CAGR over the period.

[Read More](#)



Modular Data Center Cost: CAPEX, OPEX & Timeline Drivers

What actually drives modular data center pricing? A framework for understanding CAPEX, OPEX, and timeline -- plus the 5 inputs you need before any quote.

[Read More](#)

Discover NordicEPOD , Prefabricated Modular Data Centers , Eaton

Data center construction must move fast - now, more than ever. NordicEPOD uses an advanced mobile assembly line optimized for its modular data center systems to accelerate production.

[Read More](#)

Europe Modular Data Center Market Trends Evolution , 2035



Key Market Trends & Highlights The Europe modular data-center market is experiencing robust growth driven by sustainability and technological advancements.

[Read More](#)

NEMA 4X enclosure, NEMA 4X box

Find your nema 4x enclosure easily amongst the 41 products from the leading brands (RITTAL, ARMAGARD, BOPLA,) on DirectIndustry, the industry

[Read More](#)

Discover NordicEPOD , Prefabricated Modular Data Centers , Eaton

219 gigawatts --that's the power data centers need by 2030. With 65% of this surge driven by AI's voracious hunger for high-performance computing, data centers must scale up fast.

[Read More](#)



Europe Prefabricated and Modular Data Centers Market Forecast,

Europe's prefabricated and modular data centers market was valued at \$1 billion in 2024 and is expected to grow at a CAGR of 15.05% and reach \$4.08 billion by 2034.

[Read More](#)

Warehousing & 3PL in Sweden, Norway, Finland or

Warehousing and 3PL guide for Scandinavia. Discover prices, regulations and logistics regions in Sweden, Norway, Denmark and Finland.

[Read More](#)

Report: Nordic Data Center Construction Market to

According to market research company Arizton's latest research report, the Nordic data



center construction market will grow at a CAGR of 7.33%

[Read More](#)

Europe Modular Data Center Market (2021

Europe modular data centre market outlook report provides an unbiased and detailed analysis of the ongoing Europe modular data centre market trends, opportunities/high growth areas, and market

[Read More](#)

Europe Prefabricated and Modular Data Centers Market

The Europe prefabricated and modular data centers market was valued at \$1,004.7 million in 2024 and is expected to grow at a CAGR of 15.05% and reach \$4,081.5 million by 2034

[Read More](#)



Breaking Down the Data Center Surge in the Nordics:

Market Trends Breaking Down the Data Center Surge in the Nordics: Key Players, Trends and PPAs April 16th, 2025 By Victoria Santos, Renewable

[Read More](#)

Nordic Co-location and Connectivity Price List

ALL PRICES ARE EXCLUSIVE VAT The Co-location and Connectivity services are provided by Nasdaq Stockholm AB

[Read More](#)

Nordic Data Center Construction Market

The Nordic Data Center Construction Market was valued at USD 2.21 Billion in 2024, and is projected to reach USD 7.83 Billion by 2030, rising at a CAGR of 23.47%.



Modular Data Center Market

Modular data centers allow businesses to grow their infrastructure on demand and with less downtime than traditional data centers. This flexibility is particularly

[Read More](#)

Breaking Down the Data Center Surge in the Nordics:

The Nordic region is gearing up for a data centre gold rush over the next five years, driven by its colder climate, cheap renewable energy, and

[Read More](#)

Europe Modular Data Center Market Size and Forecast 2032



The Europe Modular Data Center Market is projected to grow from USD 9,019.25 million in 2023 to an estimated USD 33,056.71 million by 2032, reflecting a robust CAGR of 16.38% from 2024 to 2032.

[Read More](#)

Nordic Power Markets

EEX Nordic Power Markets EEX's Nordic power product portfolio consists of System Price futures as well as zonal futures for all Nordic bidding zones, enabling

[Read More](#)

Top 14 Modular Data Center Construction Investors in the Nordics

Discover key modular data center construction investors like EQT Group and CapMan, shaping the industry's future in the Nordics.

[Read More](#)



Modular Data Center Cost: CAPEX, OPEX & Timeline Drivers

This piece breaks down the cost drivers that actually move the needle - on CAPEX, on OPEX, and on timeline. By the end, you'll know what questions to ask before engaging any modular

[Read More](#)

Modular Data Centers: An Executives Guide

Modular data centers are a very specific type of modular building and are one of the most affordable and effective ways to get additional computing power. These

[Read More](#)

Refurbished Data Center Hardware - Nordic Computer



We offer refurbished hardware for data centers, including servers, storage, and networks as well as batteries, spare parts, upgrades, or complete systems.

[Read More](#)

Datacenters in the Nordics

Datacenters in the Nordics In recent years, the Nordics have become an increasingly attractive region for datacenter establishments, drawing both international tech companies and datacenter operators.

[Read More](#)

Western Europe and Nordic Data Center Market Size, Growth , Share

Western Europe and Nordic data center market to reach USD 45 billion by 2026, growing at a CAGR of 4% from 2021 to 2026. The data center market in Western Europe and Nordic consists of several IT

[Read More](#)



Contact Us

For datasheets, pricing, or custom data center infrastructure solutions, please visit:
<https://zeldaterblanchephotography.co.za>