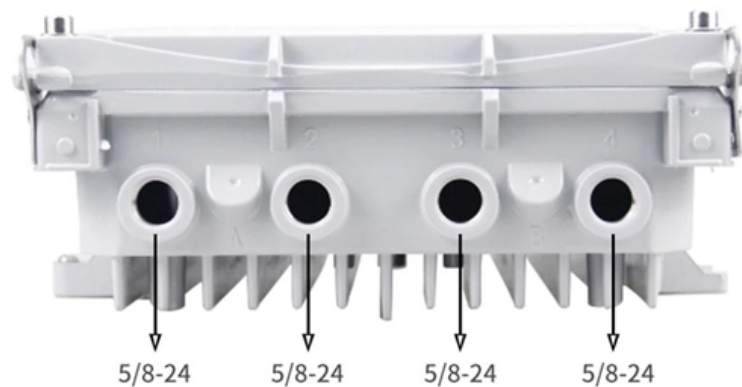


# Standard dimensions of IP65 distribution boxes





## Standard dimensions of IP65 distribution boxes

---

### IP65 Distribution Box

SMICO's IP65 protection rating is one of the common protection rating standards for outdoor plastic distribution boxes. IP represents the international protection level

[Read More](#)

### Ip65 Enclosure Boxes , CPC UK

Ip65 Enclosure Boxes at CPC. Competitive prices from the leading Ip65 Enclosure Boxes distributor. Check our stock now!

[Read More](#)



## **IP65 Waterproof Junction Box Specs , PDF**

IP65 Waterproof Junction Box Specs The document describes a line of plastic junction boxes that are waterproof to IP65 standards. The boxes come in various

[Read More](#)

## **IDE Distribution box, watertight, 2x12, DIN, 436x310x148**

IP65 Surface distribution boxes The Din rail mount IP65 enclosure is a high-quality distribution enclosure that is designed for both indoor and outdoor use. It is made from halogen-free plastic materials and is

[Read More](#)

## **EKDB10 IP65 Waterproof Distribution Box , Industrial**

Featuring IP65 ingress protection, IK09 impact resistance, and a durable ABS/PC construction, this series provides a dependable enclosure solution for residential,

[Read More](#)



## **IP65 Enclosures**

IP65 Enclosures and Boxes IP65 rated enclosures provide indoor and outdoor protection for waterproof applications. Tested to IP65 standards ensures

[Read More](#)

## **Waterproof Distribution Box , IP65 Plastic DIN Rail**

IP65 waterproof distribution box for outdoor installs. Plastic ABS/PC, DIN-rail ready, clean wiring, customization available. Manufacturer support & accessories.

[Read More](#)

## **EKDB10 Durable IP65 Rated Waterproof Distribution Boxes**

Discover the EKDB10 plastic waterproof distribution boxes, crafted from top-grade ABS



and PC materials. These boxes offer ample wiring space and boast an IP65 protection level, making them

[Read More](#)

## **Understanding IP Protection Ratings for Distribution Boxes: Choosing**

When you're setting up electrical systems, distribution boxes are like the unsung heroes that keep everything running smoothly. You probably don't give them much thought until something

[Read More](#)

## **IP65 Distribution Box SHA Series**

The IP65 Distribution Box is available in a comprehensive range of sizes, from 4-way to 54-way configurations, to meet a variety of distribution needs. Its rugged IP65 rating further enhances its

[Read More](#)



## IP66

Buy direct from manufacturer IP65 and IP66 waterproof junction boxes and electrical enclosures. Keep your internal electronic and electrical components safe with our

[Read More](#)

## IP65 Waterproof Junction Box Specs , PDF

They are resistant to chemicals, heat, and UV rays and can be directly wall mounted with screws. Technical specifications include voltage ratings up to 1000V and

[Read More](#)

## IDE Electric

Polycarbonate version. Halogen-free plastic materials. Base and frame: PC RAL 7035



grey. Transparent window: Recommended for outdoor use: UV protection according to the ISO 4892-2 standard,

[Read More](#)

## **IP65 Enclosures**

Nema Enclosures manufactures IP65 enclosures, also called IP65 cabinets or IP65 boxes. Contact us for more on IP65 electrical enclosure protection standards

[Read More](#)

## **IDE Electric**

TH35x7,5 symmetrical rail in enclosures with one row of modules and a compact frame in enclosures with two or more rows of modules. They are supplied assembled in all references.

[Read More](#)



## **Industrial IP65 Distribution Boxes , Solera**

Solera's IP65 industrial distribution boxes provide robust and secure solutions for various applications. Available in configurations ranging from 3 to 48 elements.

[Read More](#)

## **HA Series IP65 Waterproof Power Distribution Box**

HA Series Waterproof Power Distribution Box Product Highlight: Outstanding Waterproof Performance (IP65 Rating): The fully sealed enclosure delivers

[Read More](#)

## **EKDB10 IP65 Waterproof Distribution Box , Industrial**

EKDB10 Series IP65 waterproof distribution boxes offer premium protection for electrical systems in industrial, commercial, and photovoltaic applications.



## **IDE Distribution box, watertight, 1x18, DIN,**

The Din rail mount IP65 enclosure is a high-quality enclosure made of halogen-free ABS plastic material. Its exterior dimensions are 286x418x148mm, providing

[Read More](#)

## **Ip65 Junction Box Sizes**

The IP65 junction box is available in a variety of sizes, making it easier for homeowners to find the perfect fit for their needs. While there is no one-size-fits-all solution for every home or

[Read More](#)

## **W37 IP65 Indoor/Outdoor Distribution Box**



**W37 IP54 Distribution Box** This IP54 distribution box offers the ability to terminate 4 fibers housed in a robust ABS enclosure for indoor and outdoor applications.

[Read More](#)

## **IP65 enclosure, IP65 box**

Find your ip65 enclosure easily amongst the 356 products from the leading brands (ELMA, BERNSTEIN, RITTAL, ) on DirectIndustry, the industry specialist for your professional purchases.

[Read More](#)

## **Surface mounted distribution box, IP 65 - Distribution box**

Distribution box, surface mount, transparent door, N/PE rail 1×4 mod, H×W×D=210.3×142.8×99.5mm, IP65,1000 VAC, 1500 VDC

[Read More](#)



## **IP-Rated Enclosures , Certified IP65 Electrical Cabinets**

Vililong manufactures IP-rated electrical enclosures for industrial control, power distribution, automation, outdoor equipment, and harsh environment applications.

[Read More](#)

## **EKDB10 Distribution Box , IP65 Plastic Waterpro**

Discover EKDB10 IP65 waterproof distribution boxes made of durable PC plastic. Available in 4-39 ways, single/double/triple layers, ideal for industrial, commercial,

[Read More](#)

## **Waterproof Distribution Box , IP65 Plastic DIN Rail**

Each enclosure delivers dependable IP65-IP68 sealing for outdoor and industrial use, with options for plastic waterproof distribution box housings and DIN rail



[Read More](#)

## IP 65 PLASTIC JUNCTION BOXES

BDK Cable Junction Boxes IP 65 Without metric knockout for cable entry (without terminals) Cable Size Box Dimensions Catalog Code (sq. mm) (L\*B\*H) (mm) 2.5 88 \* 88 \* 53 BD 8020 33 4 98 \* 98 \* 61

[Read More](#)

## Contact Us

---

For datasheets, pricing, or custom data center infrastructure solutions, please visit:  
<https://zeldaterblanchephotography.co.za>